



Innovative Solution LLC

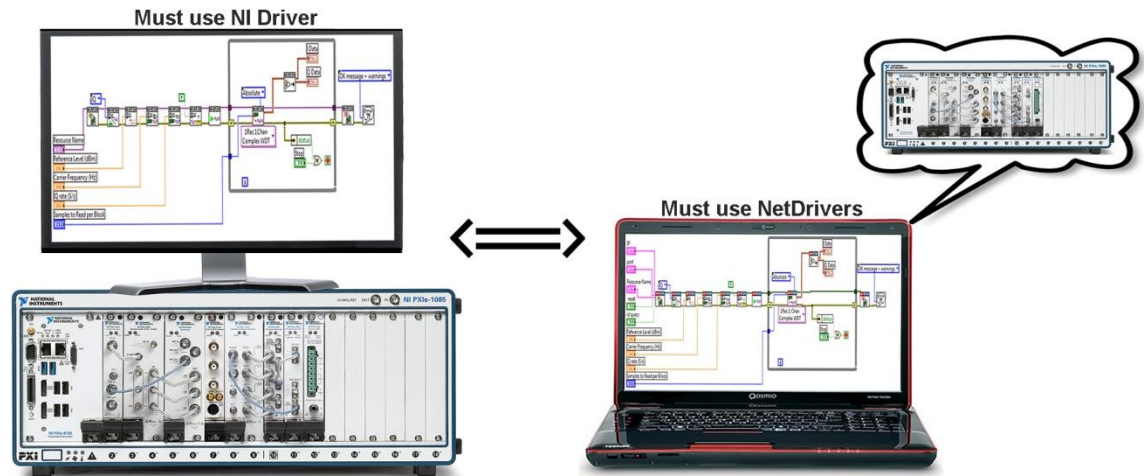
Hovsep Emin 123 str.,

Yerevan, Armenia

www.insol.am

info@insol.am

Driver Library «NETDRIVERS»



Overview

NetDrivers is a driver library for working along with National Instruments's hardware. «NET» Series Drivers (Net-RFSA, Net-RFSG, Net-SCOPE, Net-ModInst etc.) functionally almost don't differ from the originals (NI-RFSA, NI-RFSG, NI-SCOPE, NI-ModInst and etc.), but unlike the originals (NI Hardware Drivers) they do not need to be run on the PXI platform.

Programming by «NET» series drivers doesn't differ from programming by their originals (NI Hardware Drivers). The only difference is to specify IP addresses of the PXI platform on which the programmer wants to run the driver.

Features

- One application may involve several large systems consisting of one or more PXI platforms
- There is no need to create an application Client - Server what makes programming of systems with a large number of remote sources easier
- Created program can work with any personal computer of the local network
- Several users can use a single PXI platform. That allows you to organize laboratory works. Students can simultaneously use a single PXI platform from their personal computers



Innovative Solution LLC

Hovsep Emin 123 str.,

Yerevan, Armenia

www.insol.am

info@insol.am



Hardware and software

Hardware	Software
NI PXI platforma	Windows 7 (or higher)
	LabVIEW 13 (or higher)

NetDrivers structure

It is necessary to install in advance **WebService** for NetDrivers to work with them. On the PC, installed the «**Net**» series drivers.

On startup, the NetDrivers application creates automatically a clone of its analog in the remote system and organizes data exchange.

With the driver NetDrivers application **VI Converter** is also installed. The application allows you to convert programm written by NetDrivers in ordinary drivers (NI Hardware Drivers) and vise vers. The application VI Converter, included in the NetDrivers kit is located as follows: **Instrument Drivers>>NetDrivers>>VI Converter.vi**



VI Converter has two functions:

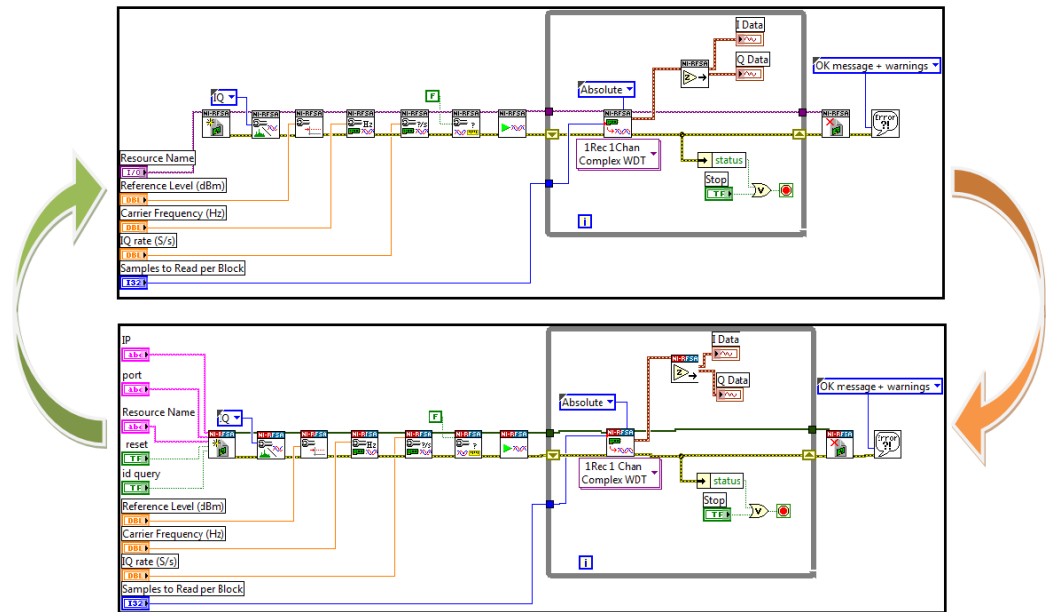
- **ni – Net**: replaces **NI Hardware Drivers VIs** in selected VI into **NetDrivers VIs**
- **Net – ni**: replaces **NetDrivers VIs** in selected VI into **NI Hardware Drivers Vis**

Page **2 of 3**

Rev. **0.1**



Converting from *ni* to *Net* are three controls automatically creates. These controls are **IP address**, **Port** and **Resource Name**. And after work with NetDrivers, while converting *Net* to *ni*, NI Hardware Drivers recover, and created three controls get deleted.



NetDrivers can be found in LabVIEW at the following path: **Function >>Instrument I/O>>Instrument Drivers>>NetDrivers**. NetDrivers has a similar structure as original, and include the same examples that has the original. NetDrivers supports almost all functions corresponding to the original, including the functions implemented only in Property Node.

